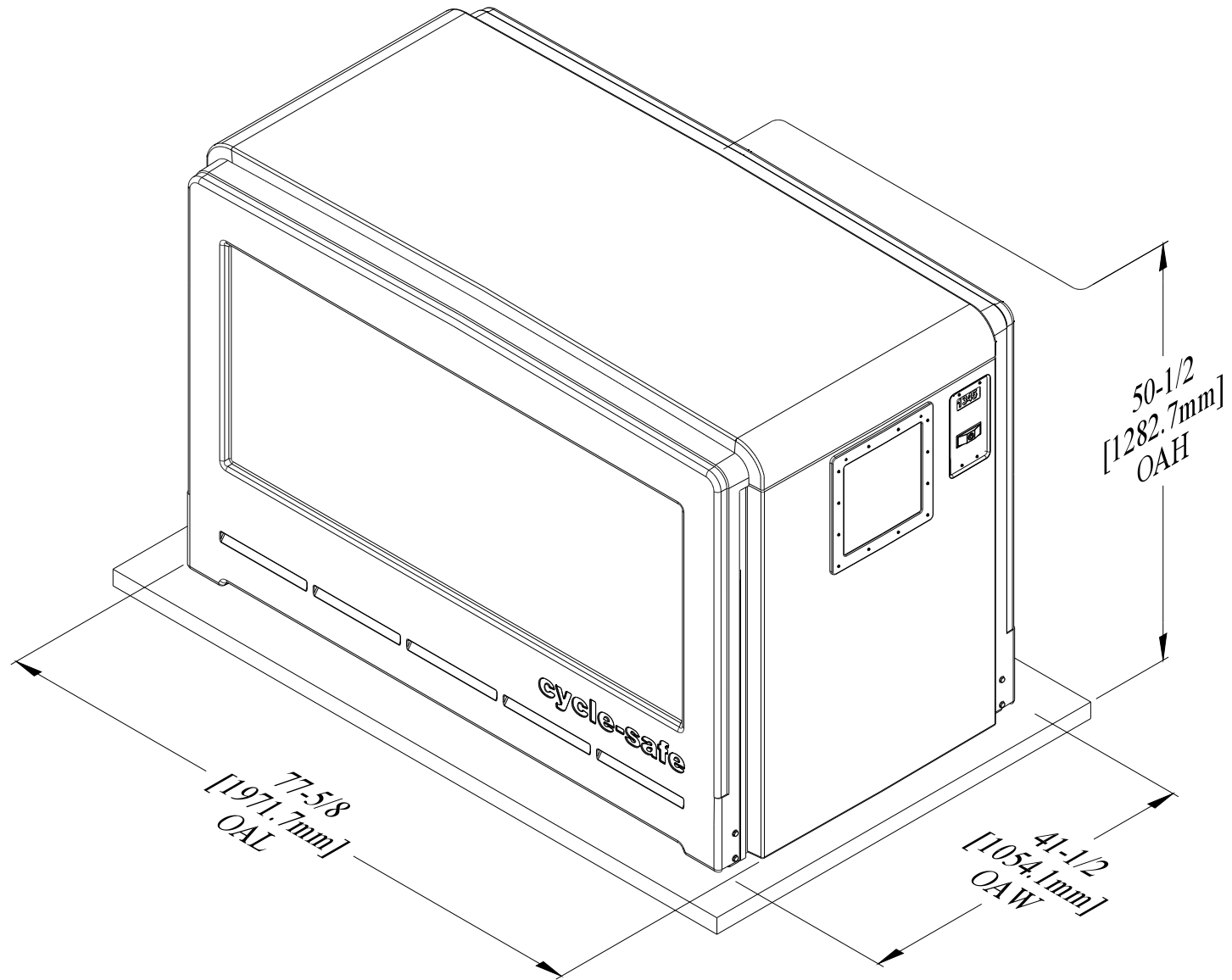
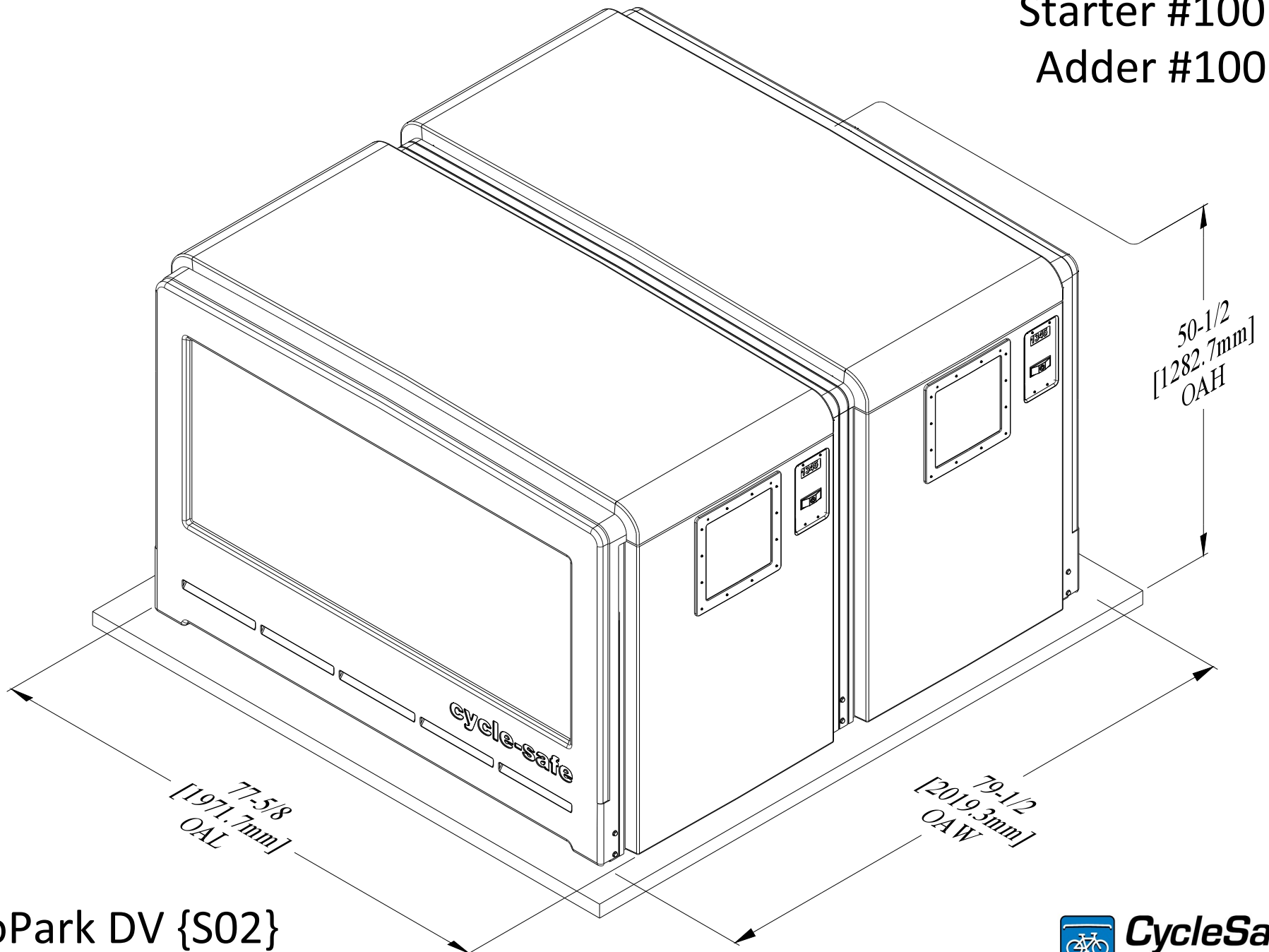


Part #10018



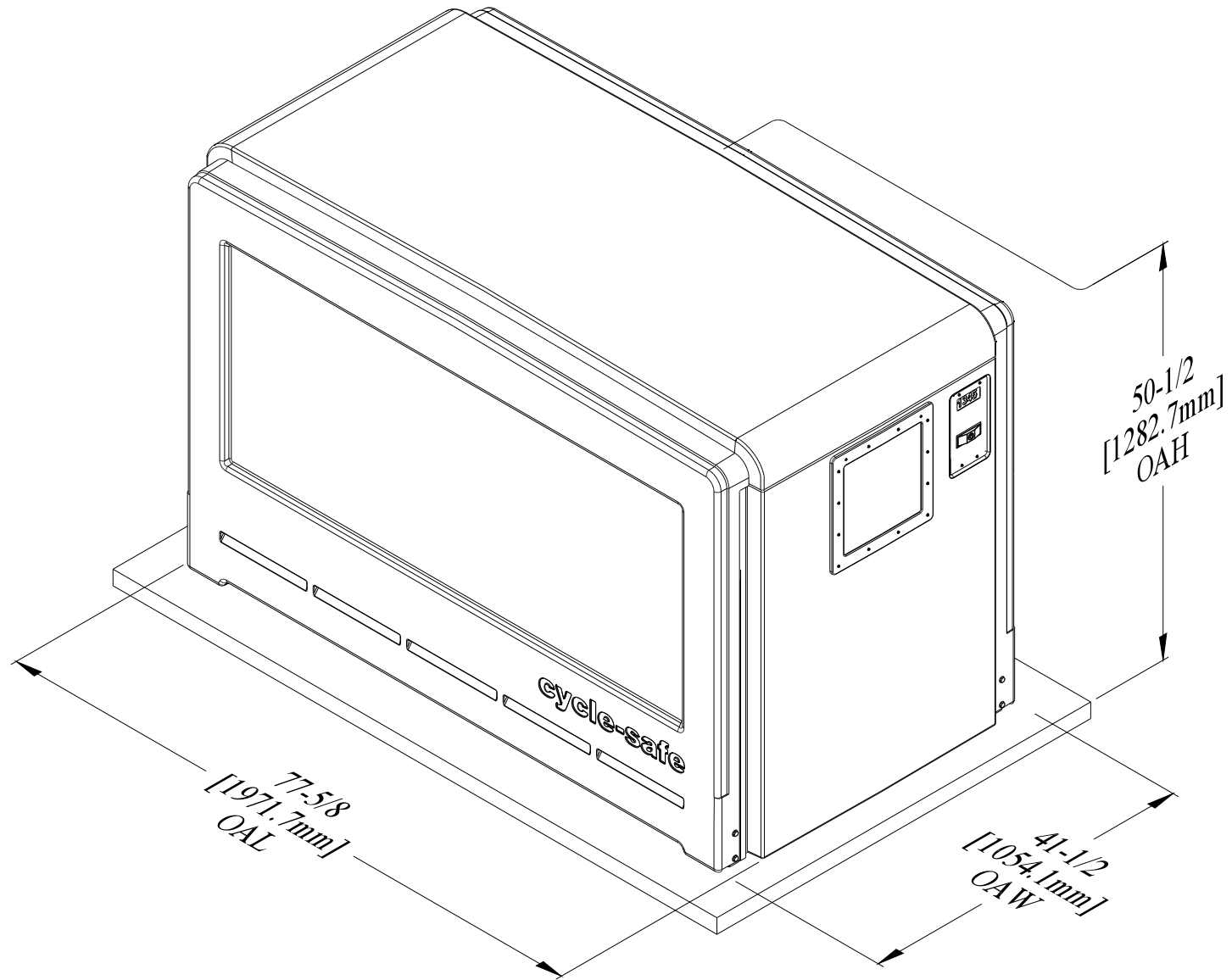
ProPark DV {S01}
{1-Bike} Starter Locker {Dims}

Starter #10018
Adder #10020



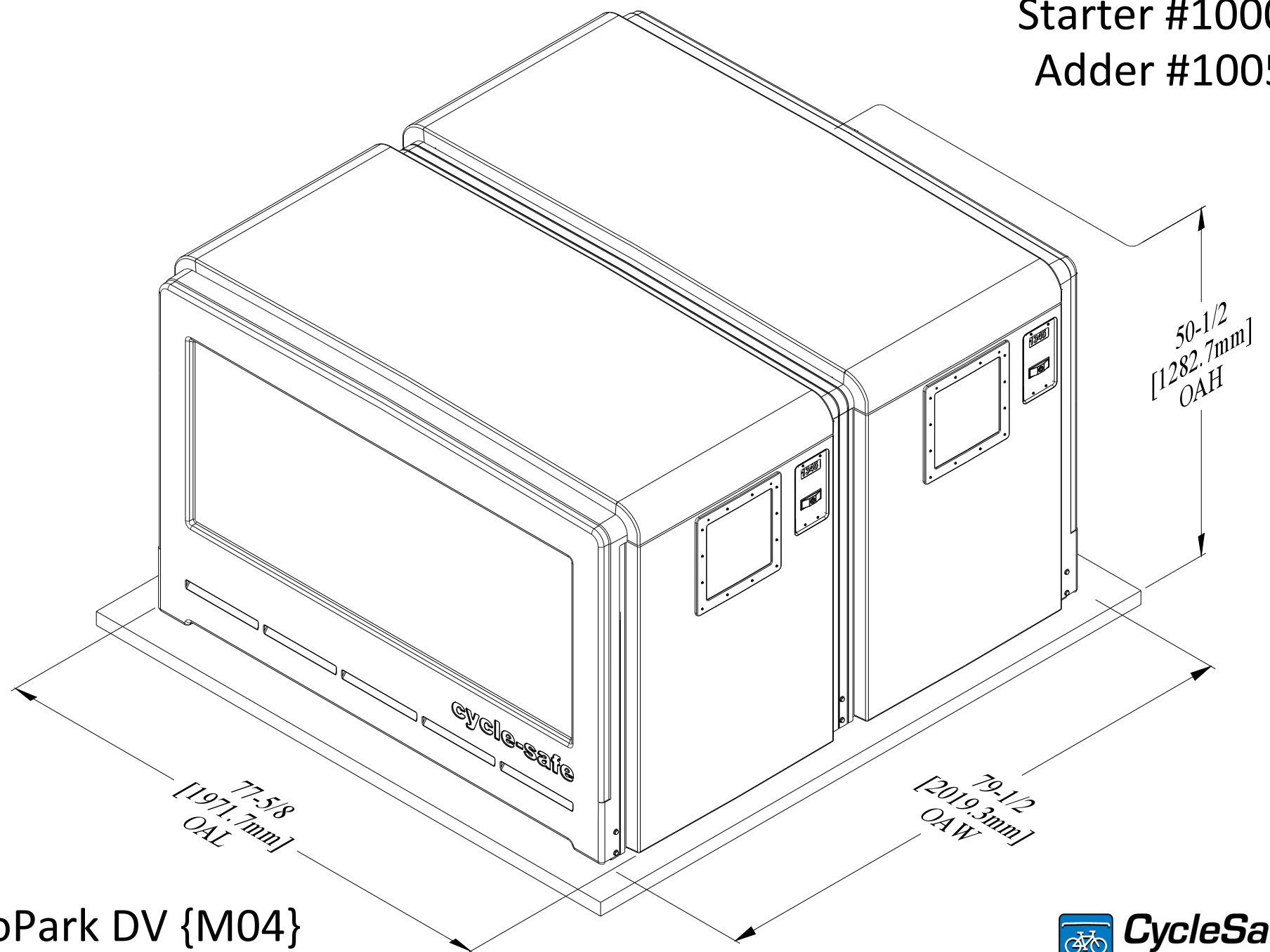
ProPark DV {S02}
{2-Bike} Locker Assy {Dims}

Part #10003



ProPark DV {M02}
{2-Bike} Starter Locker {Dims}

Starter #10003
Adder #10052



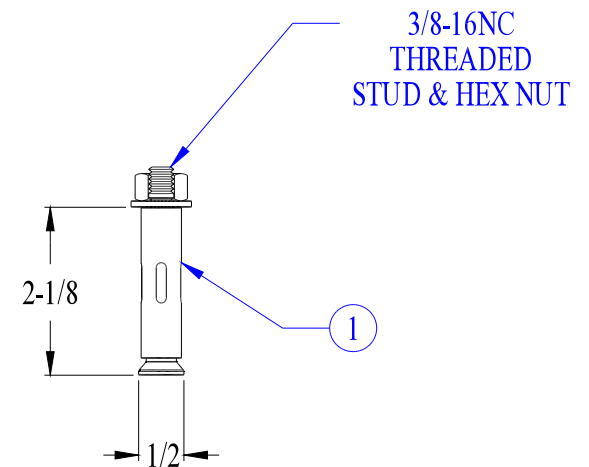
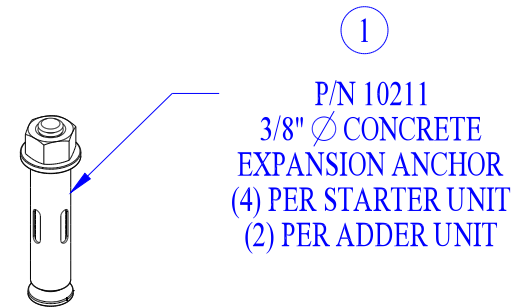
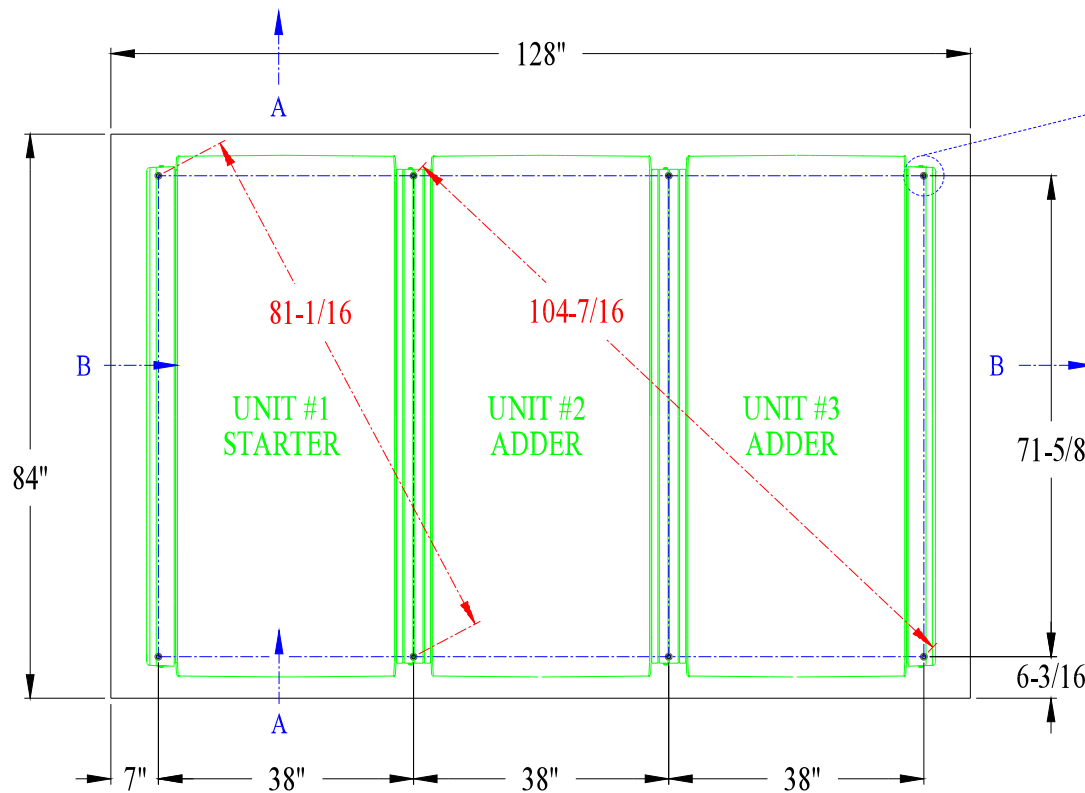
ProPark DV {M04}
{4-Bike} Locker Assy {Dims}

NOTE:

INCLINE ANGLES

A. DOOR-TO-DOOR INCLINE TO BE NO MORE THAN 1 ° SLANT

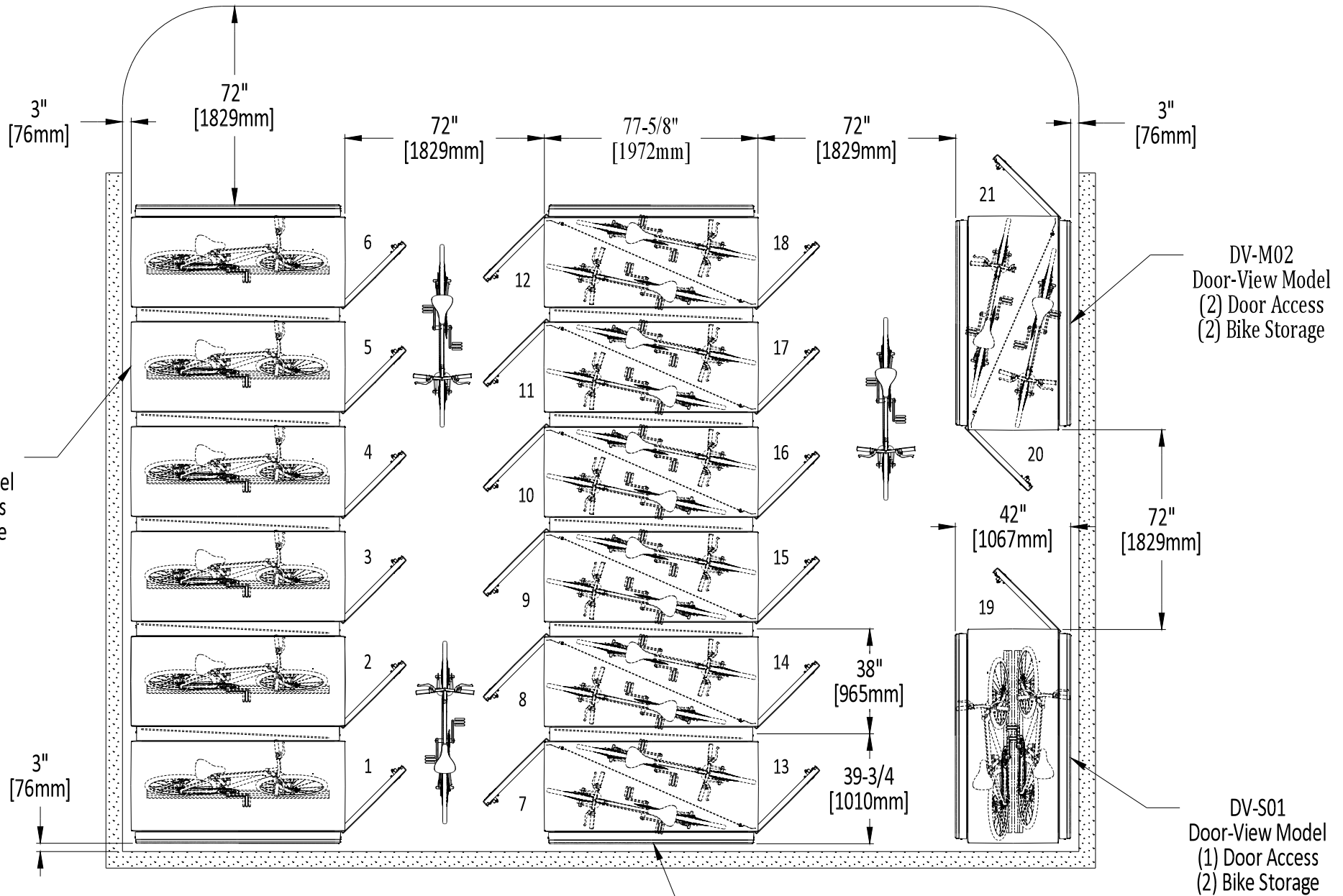
B. BANKING SIDE-TO-SIDE TO BE NO MORE THAN 2 ° SLANT



ProPark {M06} Lockers Anchor Placement Locations



www.cyclesafe.com



DV-S06
Door-View Model
(1) Door Access
(1) Bike Storage

DV-M02
Door-View Model
(2) Door Access
(2) Bike Storage

DV-S01
Door-View Model
(1) Door Access
(2) Bike Storage

DV-M12
Door-View Model
(2) Door Access
(12) Bike Storage

ProPark {Locker} Layout Clearances & Capacities



www.cyclesafe.com